

FEATURED MODEL

157-044-CR BLANCOZIROS™ in Polished Chrome

ADDITIONAL MODELS

157-044-ST Stainless (Satin Nickel)

FEATURES

- Solid brass body
- Ceramic disc cartridge
- Reversible mounting hardware adapts to thick or thin mounting surfaces
- 2.2 G.P.M. flow rate
- Installation in a 1-3/8" hole, side spray in a 1-3/8" hole

CODE/STANDARDS COMPLIANCE

ASME A112.18.1-2005
 IAPMO Listed

WARRANTY

Blanco America's Kitchen faucets feature a "NO HASSLE" LIMITED LIFETIME WARRANTY to be free of all manufacturing defects under normal use. See our complete warranty for details.

While Blanco America endeavors to provide accurate information, all dimensions are nominal, cannot be guaranteed, and are subject to change or cancellation. Blanco America assumes no responsibility for use of superseded or voided specifications.

PRODUCT SPECIFICATION

Kitchen faucet to include solid brass body, minimalist lever handle, solid brass side spray and swivel spout. Faucet dimensions to be as follows: Reach: 9"; Spout Height: 10". Reversible mounting hardware to adapt to thick or thin mounting surfaces. Kitchen faucet to be BLANCOZIROS™ with side spray, Model 157-044-_____ in _____ finish.

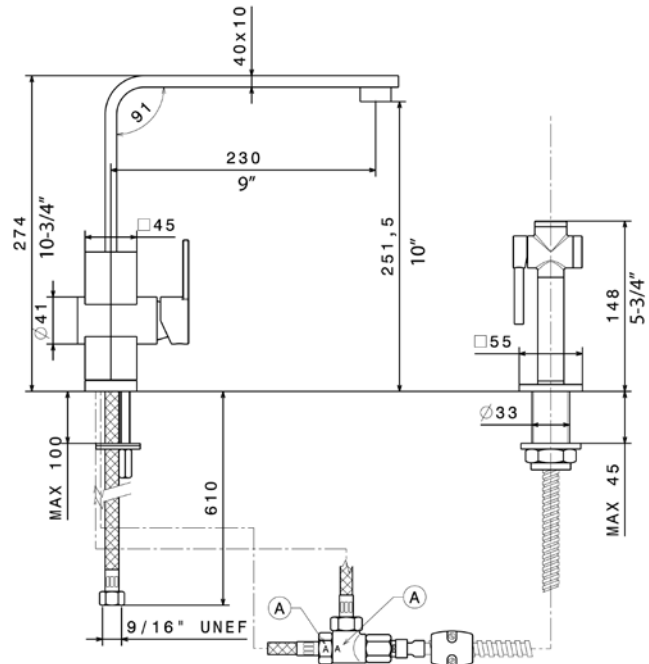
- Polished Chrome 157-044-CR
- Stainless (Satin Nickel) 157-044-ST



MODEL 157-044

NOMINAL DIMENSIONS

| MODEL | REACH | SPOUT HEIGHT | FAUCET HEIGHT |
|---------|-------|--------------|---------------|
| 157-044 | 9 | 10 | 10-3/4 |



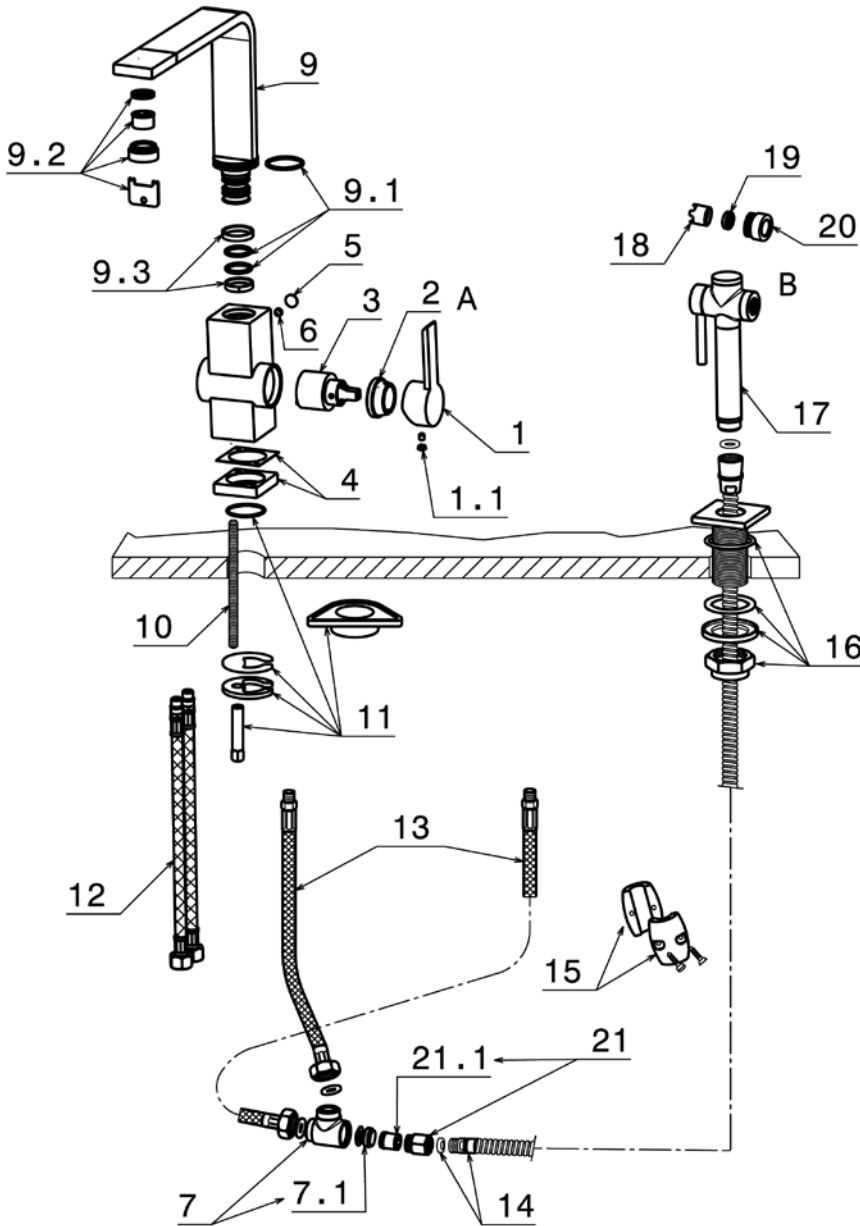
See next page for exploded parts drawing and parts list.

JOB INFORMATION

Job Name: _____
 Contact: _____
 Date Specified: _____
 Specifier: _____
 Contractor: _____

BLANCO AMERICA
800.451.5782
www.blancoamerica.com

BLANCOZIROS™ With Side Spray MODEL 157-044



| NUM. | DESCRIPTION | DOC. PART # |
|------|------------------|-------------|
| 1 | LEVER | 11845 |
| 1.1 | SCREW | 13504 |
| 2 | NUT | 11851 |
| 3 | CARTRIDGE | 14720 |
| 4 | DECK PLATE | 11850 |
| 5 | HOLE CAP | 18938 |
| 6 | SCREW | 10459 |
| 7 | T CONNECTION | 16282 |
| 7.1 | DIVERTER | 15304 |
| 9 | SPOUT | 11899 |
| 9.1 | O-RING | 13313 |
| 9.2 | AREATOR | 74 |
| 9.3 | PLASTIC RING | 14802 |
| 10 | ROD TREAD | 16992 |
| 11 | MOUNTING SET | 12321 |
| 12 | HOSE | 15005 |
| 13 | HOSE | 15003 |
| 14 | HOSE CONNECTION | 15101 |
| 15 | WEIGHT | 10618 |
| 16 | MOUNTING SET | 12050 |
| 17 | SIDE SPRAY | 18316 |
| 18 | SIDE SPRAY DISK | 15311 |
| 19 | PERFORATED DISK | 18307 |
| 20 | NUT | 15312 |
| 21 | CONNECTION VALVE | 15753 |
| 21.1 | VALVE | 15701 |